

# PROBLEM Solver™ BULLETIN

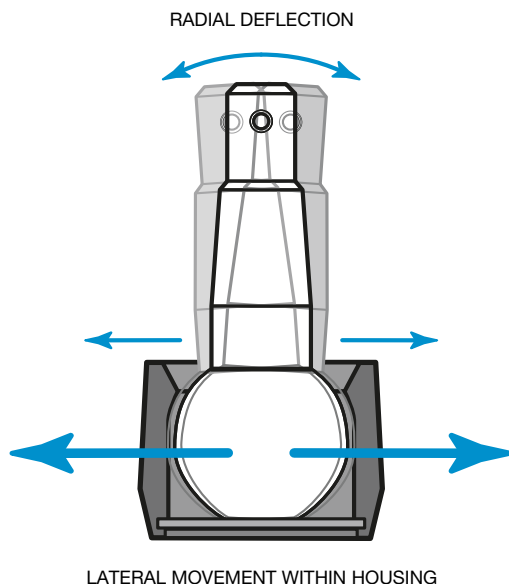
**BULLETIN: 25668**

**Premature wear  
resulting in possible  
ball joint separation**  
1995–2002  
Ford, Mercury, Lincoln

## PROBLEM:

### Premature wear resulting in possible ball joint separation

- Punishing wear and tear experienced in Police and taxi fleet environments can cause excessive wear in OE and OE replacement ball joints which could lead to joint separation.



Year	Make/Model*	Replacement Part No.
'95-'02	Ford Crown Victoria Mercury Grand Marquis Lincoln Town Car	K8685

\*Check catalog for specific application information.

## SOLUTION:

### MOOG® ball joint



- MOOG K8685 was designed to benefit the fleet environment as well as the private consumer.
- MOOG's hardened gusher bearing makes use of today's advanced powdered-metal technology for superior durability.
- Advanced metallurgical processing optimizes housing material structure for superior strength.

#### ADVANTAGE

- MOOG's superior materials, processing and construction, yield a ball joint with 60% more pullout strength than OE and replacement parts.
- The metal stud with full-ball configuration provides 360° of smooth, even, rotational movement for more responsive steering.
- All-metal "gusher" bearing design allows lubricant to penetrate bearing surfaces for longer life and reduced steering effort.



*Be Car Care Aware™*

**MOOG**  
CHASSIS PARTS™

*The Problem Solver™*

**FEDERAL-MOGUL**  
MOTORPARTS