

Installation Guide

Rear Diff Mount Bushings

Suits : BMW E90

(Always refer to the current catalogue for complete application listings).
N.B. This install guide should be used in conjunction with the workshop manual.

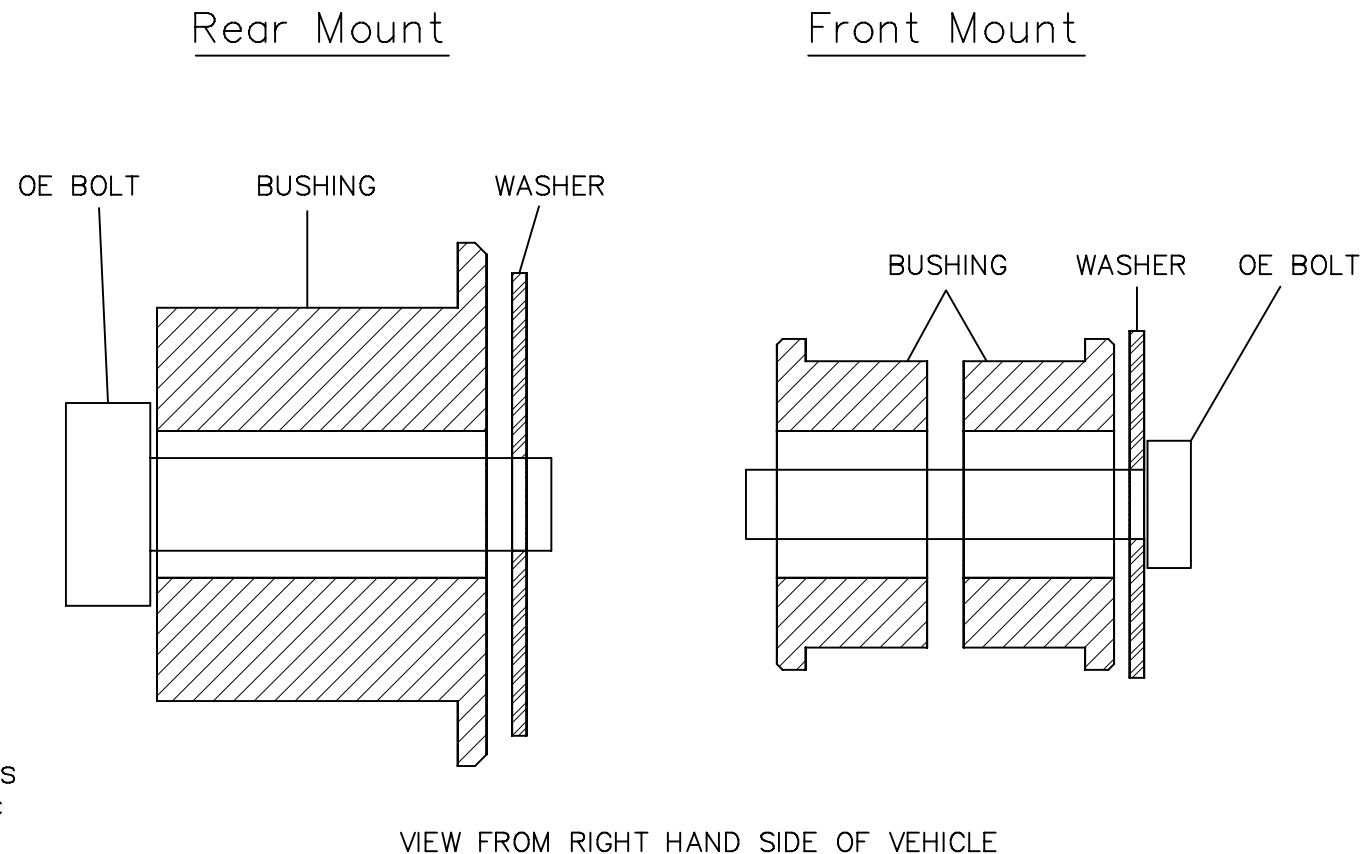
KIT CONTENTS:

1x large bushing
4x small bushing
1x large washer
2x small washer
3x tubes

NOTE:

Push the rear bushing in from the front towards the rear of the car and place the supplied washer between the bushing and diff.

Lubricate only ID of bushings
Tighten all bolts to OE spec
Re check after initial 100km



N.B. It is recommended that a licenced workshop or trades person carry out the above procedure and that workshop manual and relevant safety procedures are followed in addition to the above.